

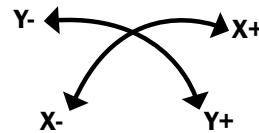
## eDXI-100/200

### Single or Dual Axis Digital Inclinometer

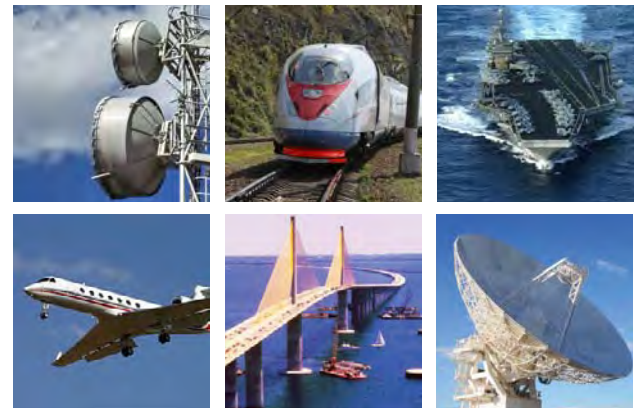
The Jewell eDXI-100/200 Series is a single or dual digital inclinometer with the convenience of Ethernet output. With its power over ethernet capability, no power source is needed. Simply plug it in to your computer.

#### FEATURES:

- Digital output
- Resolution 0.001°
- Mechanical Shock 1500g 1msec 1/2 sine
- Industry Standard Ethernet 10 Base T or 100 Base TX (Auto-sensing)
- For use in high shock and vibration environments
- PoE (power over Ethernet)
- Low Noise

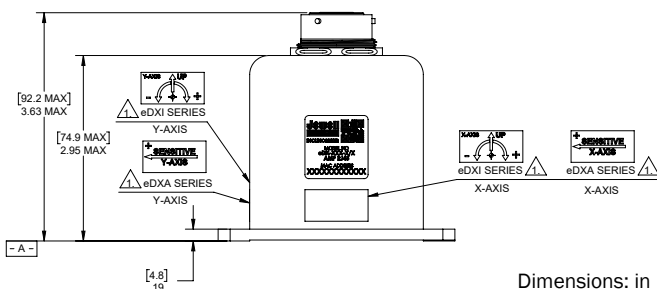
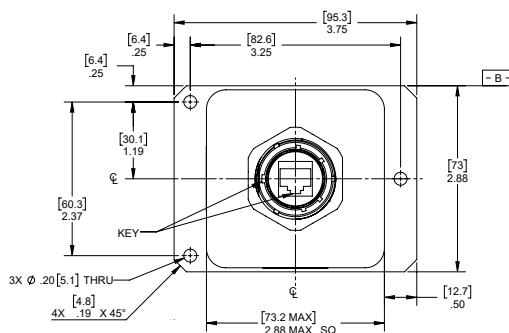


\*Standard eDXI-100 includes X-axis only



#### APPLICATIONS:

- Radar/Antenna Control
- Structural Monitoring
- Linear Acceleration/Deceleration Measuring
- Automatic Train Control (ATC, ATP)



Dimensions: in [mm]

# PERFORMANCE SPECIFICATIONS eDXI-100/200

## PERFORMANCE

<b>INPUT RANGE (°)</b>	<b>±1.0</b>	<b>±3.0</b>	<b>±14.5</b>	<b>±30.0</b>	<b>±60.0</b>
<b>NON LINEARITY (%FRO max)<sup>2</sup></b>	0.02	0.015	0.02	0.02	0.03
<b>SCALE FACTOR TOLERANCE (% max)</b>	0.1				
<b>SCALE FACTOR TEMP. SENSITIVITY (PPM/°C, max)</b>	100				
<b>OUTPUT AT 0° TILT (max)</b>	±0.01	±0.01	±0.05	±0.05	±0.05
<b>0° OUTPUT TEMP. SENSITIVITY (°/°C, max)</b>	0.005				
<b>BANDWIDTH (-3dB Hz, nominal)<sup>3</sup></b>	3	6	30	30	30
<b>TRANSVERSE AXIS MISALIGNMENT (° max)</b>	0.15	0.15	0.5	0.5	0.5
<b>RESOLUTION &amp; THRESHOLD (° max)</b>	0.001				
<b>POWER ON REPEATABILITY (° max)</b>	0.001				
<b>HYSTERESIS (° max)</b>	0.001				
<b>REPEATABILITY (° max)</b>	0.001	0.001	0.002	0.002	0.003

## ELECTRICAL

<b>NUMBER OF AXES</b>	1 or 2
<b>SUPPLY VOLTAGE RANGE (VDC)</b>	36 to 57
<b>START-UP VOLTAGE (VDC, min)</b>	42
<b>INPUT CURRENT (mA, max)</b>	250
<b>INPUT TO OUTPUT ISOLATION (Vpeak Impulse)</b>	1500
<b>NOISE (milli-degrees rms, max)</b>	2

## ENVIRONMENTAL

<b>OPERATING TEMP. RANGE</b>	-40° to +85° C
<b>STORAGE TEMP. RANGE</b>	-40° to +85° C
<b>VIBRATION</b>	20 grms
<b>SHOCK</b>	1500g, 1 msec, ½ sine

## PIN OUTS

<b>1</b>	TX+	<b>5</b>	PoE45-
<b>2</b>	TX-	<b>6</b>	RX-
<b>3</b>	RX+	<b>7</b>	PoE78+
<b>4</b>	PoE45+	<b>8</b>	PoE78-

### NOTES:

1. Full range is defined as "from negative full input angle to positive full input angle"
2. Non-linearity is specified as deviation of output referenced to a best fit straight line, independent of misalignment.
3. In default condition without averaging enabled.

\*Specifications subject to change without notice on account of continued product development



# PERFORMANCE SPECIFICATIONS eDXI-100/200

## ENCLOSURE

<b>HOUSING MATERIAL</b>	Anodized & Alodine Aluminum
<b>WEIGHT</b>	eDXI-100 345 g, max
	eDXI-200 390 g, max
<b>PROTECTION CLASS</b> (per IEC 529)	IP65
<b>NEMA ENCLOSURE RATING</b>	6
<b>SEAL</b>	MIL-STD-202 Method 112
<b>CONNECTOR TYPE</b>	Amphenol RJF72B00
<b>RECOMMENDED MATING CONN.</b>	Amphenol RJF6B

## DIGITAL OUTPUT

<b>INTERFACE</b>	Ethernet 10Base-T or 100Base-TX (Auto-sensing)
<b>PROTOCOL</b>	TCP/IP, UDP/IP, ARP, Telnet, ICMP, SNMP, DHCP, BOOTP, TFTP, AutoIP, and HTTP
<b>OUTPUT REP.</b>	Degrees

# ORDERING INFORMATION

## HOW TO ORDER

	<b>AXES</b>	<b>MODEL #</b>	<b>PART #</b>
<b>±1.0</b>	1	eDXI-100-1	02550380-101
	2	eDXI-200-1/1	02550380-201
<b>±3.0</b>	1	eDXI-100-3	02550380-102
	2	eDXI-200-3/3	02550380-202
<b>±14.5</b>	1	eDXI-100-14.5	02550380-103
	2	eDXI-200-14.5/14.5	02550380-203
<b>±30.0</b>	1	eDXI-100-30	02550380-104
	2	eDXI-200-30/30	02550380-204
<b>±60.0</b>	1	eDXI-100-60	02550380-105
	2	eDXI-200-60/60	02550380-205

**Jewell**  
Instruments

ISO9001  
CERTIFIED

FI01

© Jewell Instruments 2020